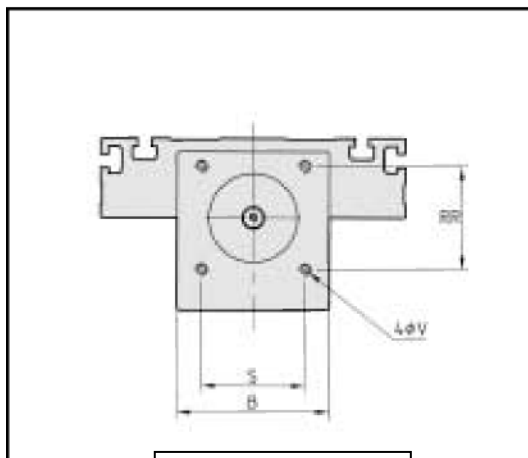
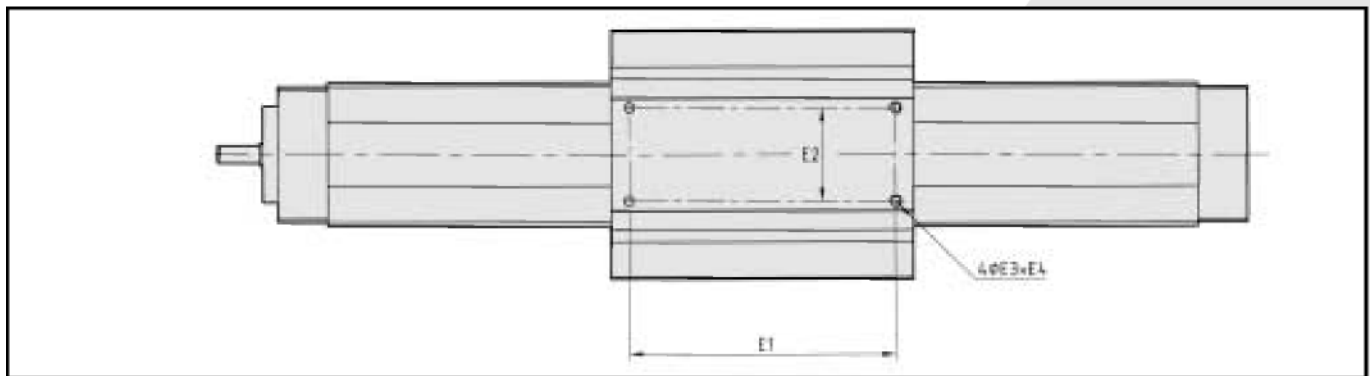
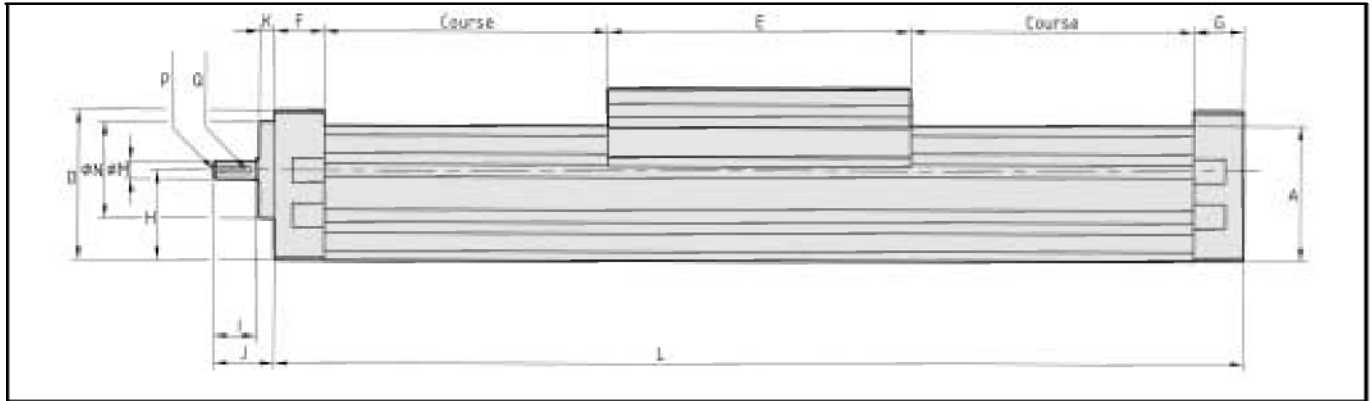




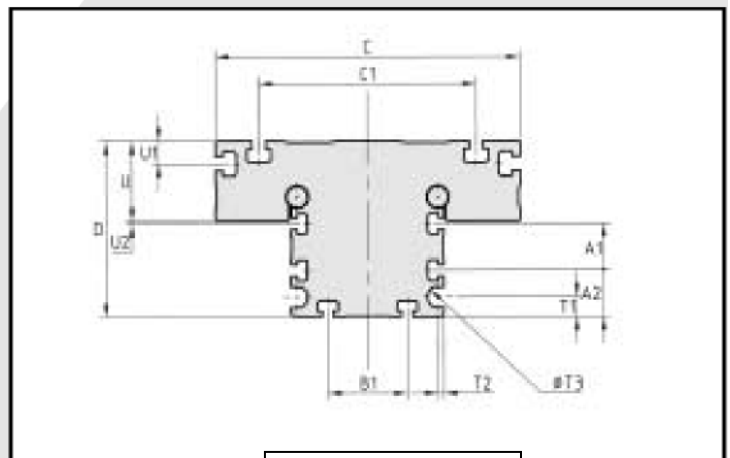
## **ROLVIS SERIES**

*International name: KRLV*

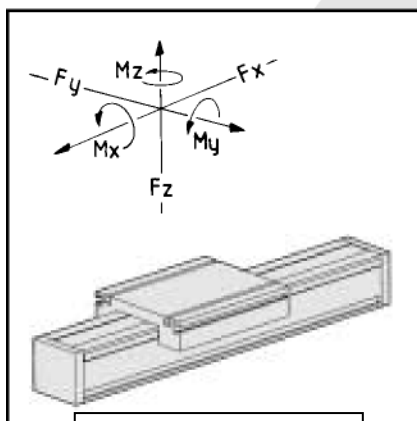
- **Ball screw or trapezoidal screw drive**
- **External guide with 4 or 8 rollers**
- **Profile made of anodised extruded aluminium**
- **Pre-loaded guide factory adjusted (no eccentric)**
- **Sealing with smooth sealing tape**
- **T-slots**



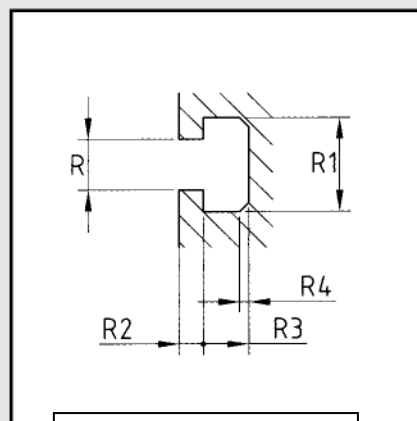
Front view



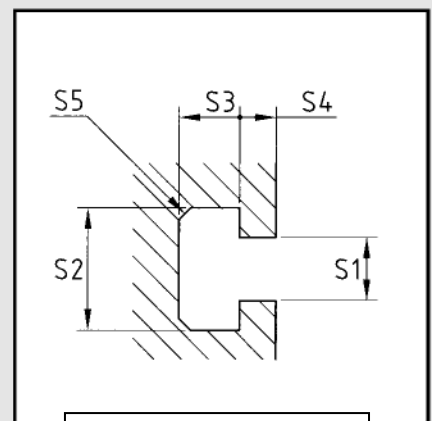
Cross section



Forces and moments



T-slots in profile



T-slots in carriage

### DIMENSIONS (mm)

Series	A	A1	A2	B	B1	C	C1	D	E	E1	E2	E3	E4	F	G
<b>ROLVIS 62/62</b>	62	26	18	62	32	100	66	78	120	100	38	M6	15	28	28
<b>ROLVIS 90/90</b>	90	30	30	90	42	165	108	115	200	176	62	M8	18	33	33
<b>ROLVIS 115/105</b>	105	35	35	105	60	230	164	130	280	250	110	M10	18	37	37

Series	H	I	J	K	ØMJ6	ØNh7	O	P	Q	RR	R	R1	R2	R3
<b>ROLVIS 62/62</b>	42	20	30	9	8	47	68	M3	2 x 2	40	6	10.5	5.5	3.5
<b>ROLVIS 90/90</b>	60	28	40	10	12	64	100	M5	4 x 4	65	8	15.5	7.5	4
<b>ROLVIS 115/105</b>	70	32	45	12	15	67	120	M6	5 x 5	78	8	15.5	7.5	4.5

Series	R4	S	S1	S2	S3	S4	S5	T1	T2	ØT3	U	U1	U2	V
<b>ROLVIS 62/62</b>	1 x 1	40	5.2	10.5	4.5	3	1 x 1	7	2.5	5.8	32	10	2	M6
<b>ROLVIS 90/90</b>	1 x 1	65	8.2	15.5	6.5	4	2 x 2	12.5	4	11.5	52	15	3	M8
<b>ROLVIS 115/105</b>	1 x 1	78	10.2	18.5	10	6	2 x 2	15	7	15	60	17	3.5	M8

**Option A80:** attached lubrication units.

### LONG CARRIAGE WITH 4 (XL4) OR 8 (XL8) BEARINGS

<b>ROLVIS 62/62</b>	E = 200	<b>ROLVIS 90/90</b>	E = 300	<b>ROLVIS 115/105</b>	E = 400
	E <sub>1</sub> = 170		E = 270		E <sub>1</sub> = 360

### TECHNICAL DATA

Series	Permissible load for 4 rollers (N)			Static moment (Nm)		
	F <sub>x</sub>	F <sub>y</sub>	F <sub>z</sub>	M <sub>ox</sub>	M <sub>oy</sub>	M <sub>oz</sub>
<b>ROLVIS 62/62</b>	3,400	600	800	60	110	105
<b>ROLVIS 90/90</b>	11,700	1,500	2,600	124	210	190
<b>ROLVIS 115/105</b>	20,800	2,600	4,800	286	480	410

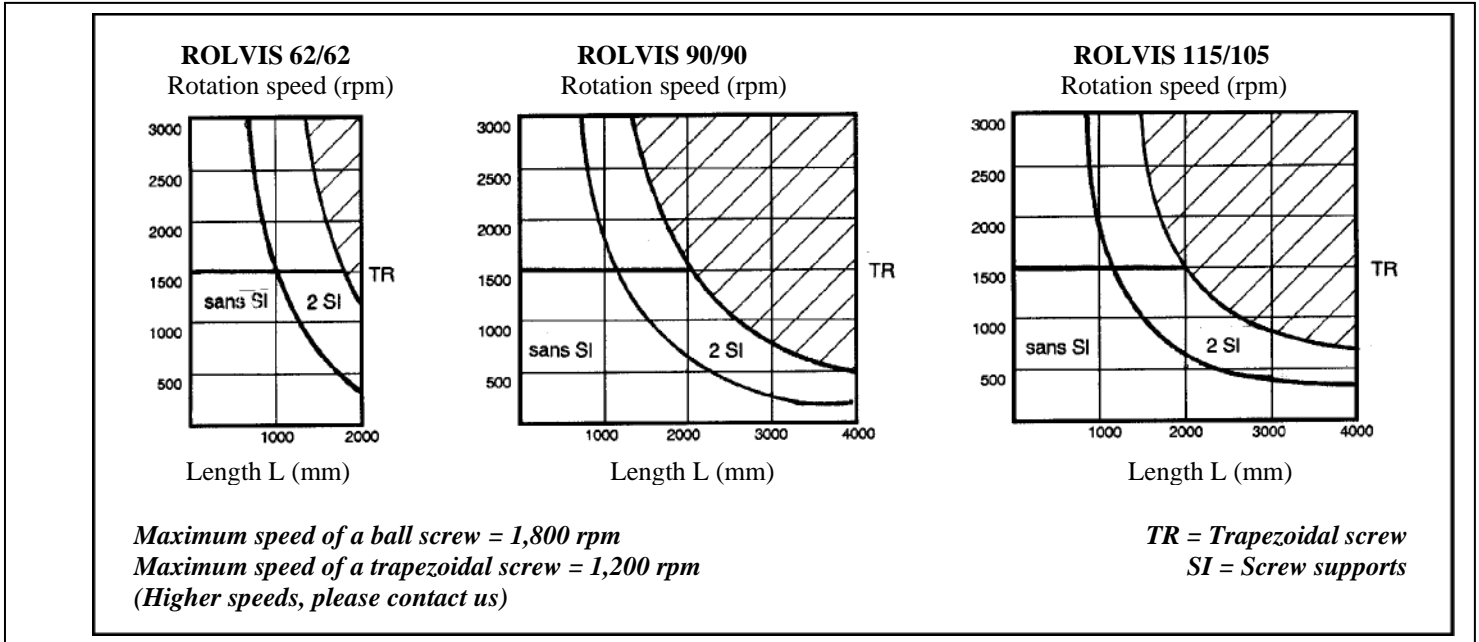
Series	Ball screw	Total weight	Weight of carriage	Moment of inertia	
	Ø x lead (mm)	Kg	Kg	I <sub>yy</sub> (mm <sup>4</sup> )	I <sub>zz</sub> (mm <sup>4</sup> )
<b>ROLVIS 62/62</b>	12 x 4	c x 0.009+2.6	2.9	62.6 x 10 <sup>4</sup>	76.15 x 10 <sup>4</sup>
<b>ROLVIS 90/90</b>	20 x 5 (option: 20x20 or 20x50)	c x 0.016+9.6	5.1	247 x 10 <sup>4</sup>	300 x 10 <sup>4</sup>
<b>ROLVIS 115/105</b>	25 x 5 (option: 25x10 or 25x25)	c x 0.022+ 14.2	9.1	484 x 10 <sup>4</sup>	720.6 x 10 <sup>4</sup>

c = Stroke (mm)

\* For 8 rollers on request; principally, the permissible loads double.

**SPEED:**

The speed is limited by the critical speed of the screw shaft. The diagrams below show the maximum rotation speeds according to the type of product, the length and the quantity of screw supports. (Nota: the integration of screw support SI increases the total length of the module).



**LUBRICATION:**

The ball screws are to be re-lubricated at least twice a year by using the NLGI 2 roller bearing grease fitted with lithium based soap.

**TEMPERATURE:**

From -10°C to +80°C.  
For other temperatures, please contact us.

**SEE "OPTIONS AND ACCESSORIES" FOR:**

- Second, free carriage
- Long carriage
- Second driving shaft
- Flange
- Coupling
- Stroke ends
- Fixing parts
- Motor
- Motion control...

**REFERENCES**

	ROLVIS 90/90	2005 VB	2000 / 2660	0SI	A10	A15
Series						
Ø / lead / type of screw						
Stroke / total length (mm)						
Quantity of screw supports						
Options and accessories (ex. A10: flange; A15: coupling)						