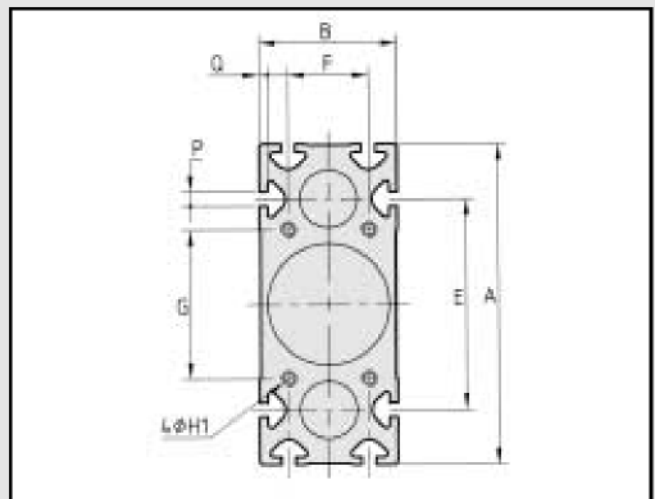
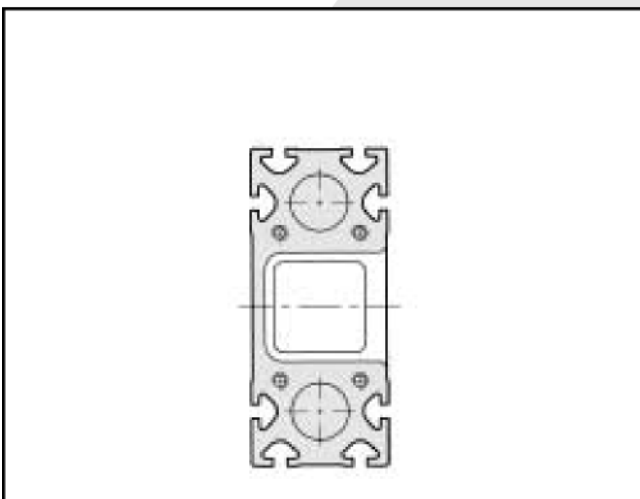
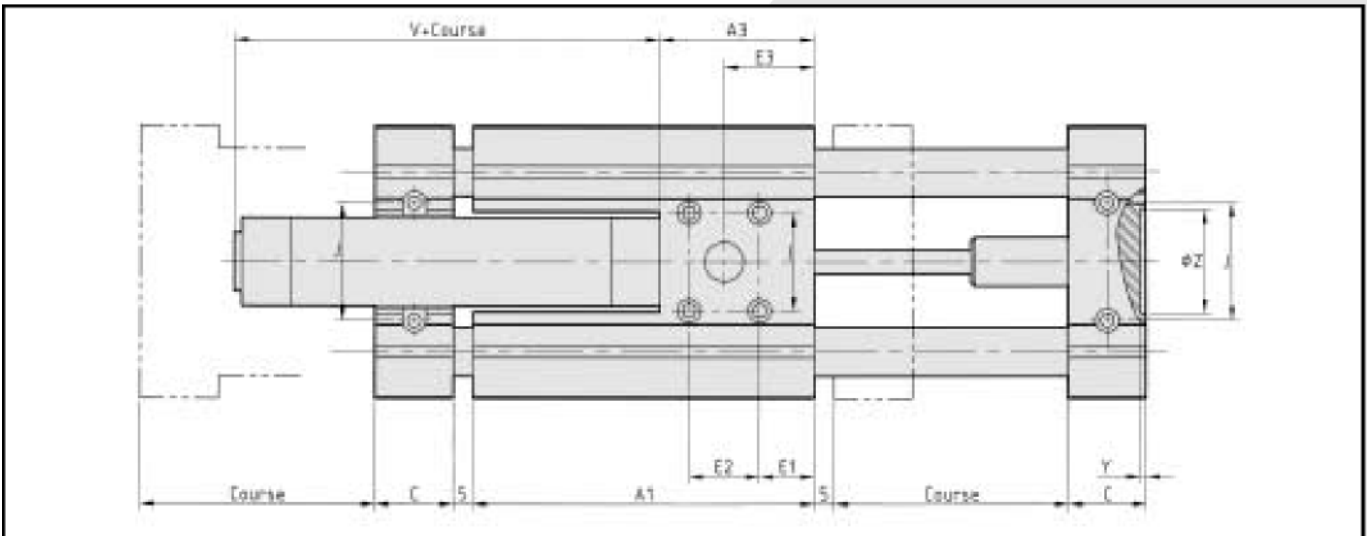
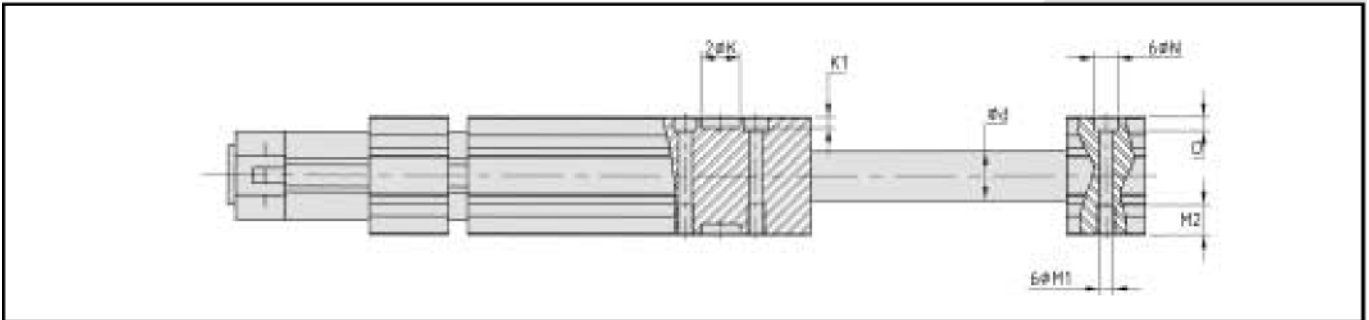


- Massive table made of anodised extruded aluminium
- Pneumatic cylinder drive
- Guide on 4 linear bearings
- Cylinder $d=25$ according to ISO 6432
- Cylinder $d=25$ and 40 according to VDMA 24562 and ISO 6431
- Carriage equipped with:
 - T-slots
 - Mounting holes



FIX PNEUMATIC TABLE "KFP"

Dimensions (mm)		KFP 100	KFP 140	KFP 165
d H6: Ball bearings		16	25	30
Cylinder diameter		25	32	40
A		100	140	165
A1		130	175	210
A3		58	80	95
B		46	60	72
C		35	40	45
E		66	92	108
E1		18	28	30
E2		28	36	46
E3		32	46	53
F		26	35	42
G		50	65	80
H1		M6	M6	M8
I		35	50	60
J		42	60	70
K H8		16	20	24
K1		4	5	6
L		Stroke + 210	Stroke + 265	Stroke + 310
M1		M6	M8	M8
M2		15	20	20
N		10	12	12
O		6	7	7
P		5.2	6.2	8.2
Q		3	3.5	4
V		<i>Cylinder length</i>		
Y		3	3	3
Z H8		40	53	63
Load capacity (4 ball bearings)	C (N)	2,015	6,465	9,100
	Co (N)	2,480	6,680	10,800
Total weight without cylinder (Kg)		$L \times 0.004 + 2.2$	$L \times 0.010 + 5.6$	$L \times 0.014 + 8.8$
Weight of carriage (Kg)		1.5	3.9	6.3

L = Total length (mm)

REFERENCES

	KFP	100 / 25	100	310	A60
Series					
Profile width / Cylinder diameter					
Stroke					
Total length					
Options and accessories (ex. A60: slide nuts)					