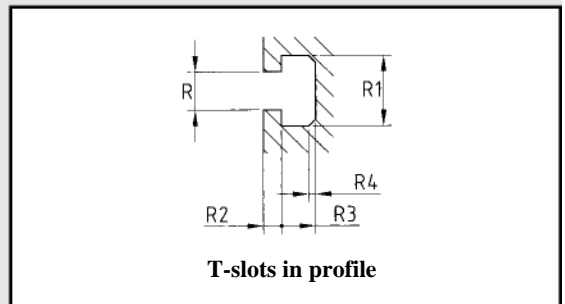
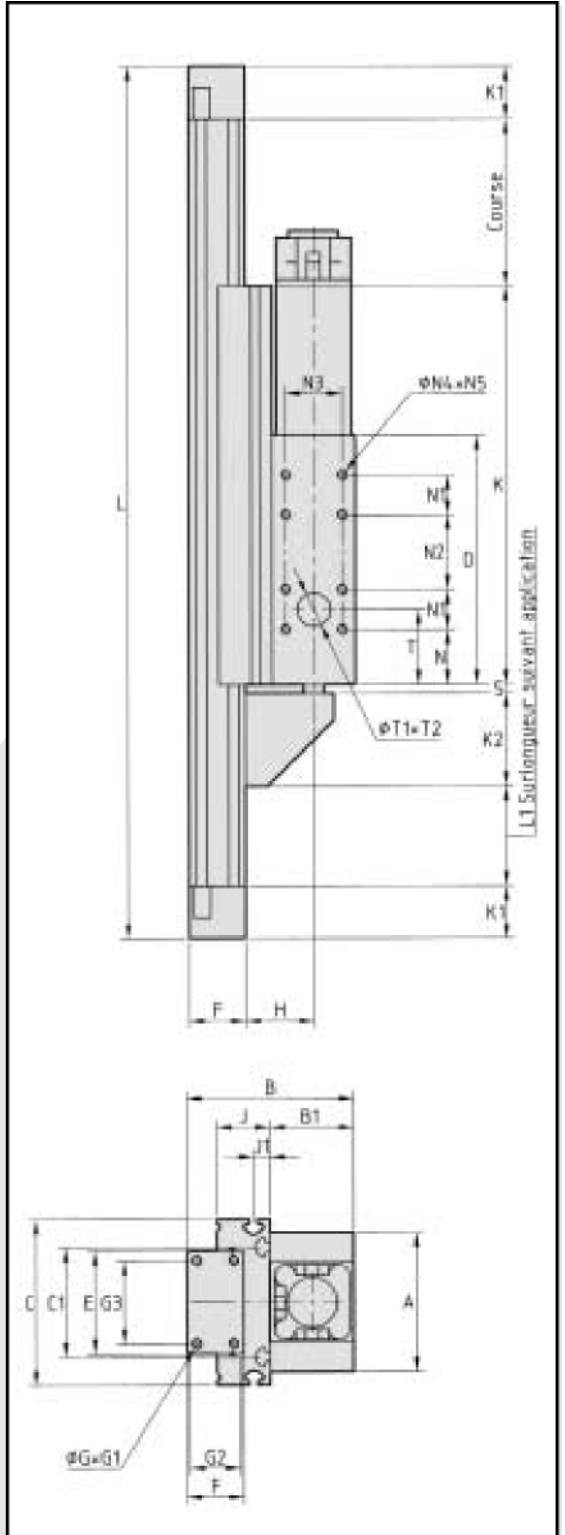
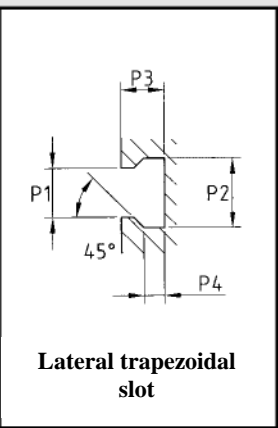
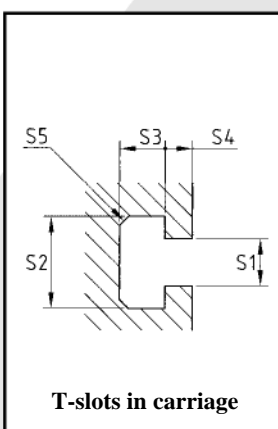
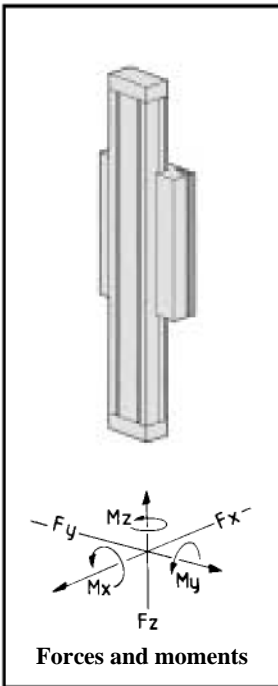
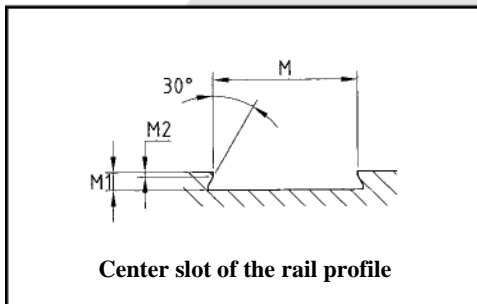
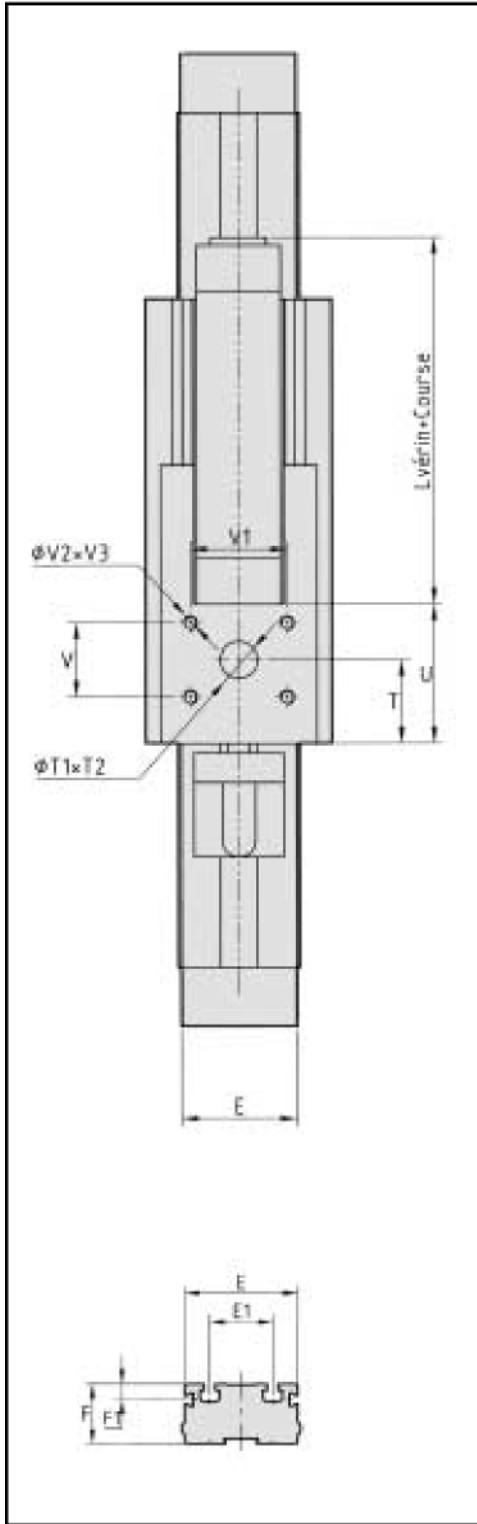




## **CREGAL-V SERIES**

*International name: KCGV*

- **Integrated roller guide with 4 or 8 bearings**
- **Pneumatic drive**
- **Maintenance-free unit**
- **Pre-loaded guide factory adjusted (no eccentric)**
- **Profile made of anodised extruded aluminium**
- **T-slots in the profile and carriage**
- **Cylinder according to VDMA 24562 and ISO 6431**



### DIMENSIONS (mm)

Series	A	B	B 1	C	C1	D	E	E1		F F 1	ØG
<b>CREGAL 62 V</b>	84	100	50	100	66	150	62	32	34	8	M6
<b>CREGAL 90 V</b>	130	142	69	165	108	200	90	50	48	11	M6
<b>CREGAL 115 V</b>	190	165	80	230	164	230	115	66	60	14	M8

Series	G1	G2	G3	H	J	J1	K	K1	K2	M	M1
<b>CREGAL 62 V</b>	15	22	50	41	32	10	220	33	59	20	4
<b>CREGAL 90 V</b>	16	34	76	59	52	15	300	33	79	25	4
<b>CREGAL 115 V</b>	20	42	96	65	60	17	400	37	88	32	4

Series	M2	N	N1	N2	N3	ØN4	N5	P1	P2	P3
<b>CREGAL 62 V</b>	1	33	24	45	34	M6	16	6	8	6
<b>CREGAL 90 V</b>	1	38	40	54	48	M8	20	7	10	7
<b>CREGAL 115 V</b>	1	48	34	94	56	M10	20	11	15	9

Series	P4	R	R1	R2	R3	R4	S1	S2	S3	S4
<b>CREGAL 62 V</b>	2.5	6	10.5	4	6.5	1.5	5.2	10.5	4.5	3
<b>CREGAL 90 V</b>	3	8	15.5	5	9	2	8.2	15.5	6.5	4
<b>CREGAL 115 V</b>	3.5	10	18.5	6	11	2.5	10.5	18.5	10	6

Series	S5	T	ØT1H8	T2	U	V	V1	V2	V3
<b>CREGAL 62 V</b>	1	45	20	5	75	40	52	M8	16
<b>CREGAL 90 V</b>	2	58	30	6	100	60	86	M10	20
<b>CREGAL 115 V</b>	2	65	30	6	115	60	136	M12	24

L 1 mini = 0

**Option A80:** attached lubrication units

### TECHNICAL DATA

Series	Cylinder	Permissible load (N)	Static moment (Nm)		
	mm		Fx* / 6 bars	Mox	Moy
<b>CREGAL 62 V</b>	Ø 32	630	275	275	98
<b>CREGAL 90 V</b>	Ø 50	990	782	782	434
<b>CREGAL 115 V</b>	Ø 63	1,682	1,535	1,535	1,120

Series	Total weight	Mass of the moved profile	Moment of inertia	
	Kg		Kg	Ixx (mm <sup>4</sup> )
<b>CREGAL 62 V</b>	c x 0.006 + 5.6	c x 0.006 + 1.7	47.28 x 10 <sup>4</sup>	12.71 x 10 <sup>4</sup>
<b>CREGAL 90 V</b>	c x 0.015 + 11.5	c x 0.015 + 2.7	193.09 x 10 <sup>4</sup>	53.32 x 10 <sup>4</sup>
<b>CREGAL 115 V</b>	c x 0.024 + 19.4	c x 0.024 + 5.5	475.33 x 10 <sup>4</sup>	130.65 x 10 <sup>4</sup>

c = Stroke (mm)

\*Fnutz = Fx – Mass of moved profile

**SPEED:**

Guide: 5m/s

Drive according to pneumatic cylinder

**ACCELERATION:**

Guide: 20m/s<sup>2</sup>

Drive according to pneumatic cylinder

**REPEATABILITY:**

According to pneumatic cylinder

**LUBRICATION :**

Maintenance-free unit

**TEMPERATURE:**

From -10°C to +80°C

For other temperatures, please contact us.

**SEE "OPTION SAND ACCESSORIES" FOR:**

- Long carriage
- Fixing parts

**REFERENCES**

	<b>CREGAL 62 V</b>	<b>100</b>	<b>450</b>	<b>A60</b>
Series				
Stroke				
Total length				
Options and accessories				