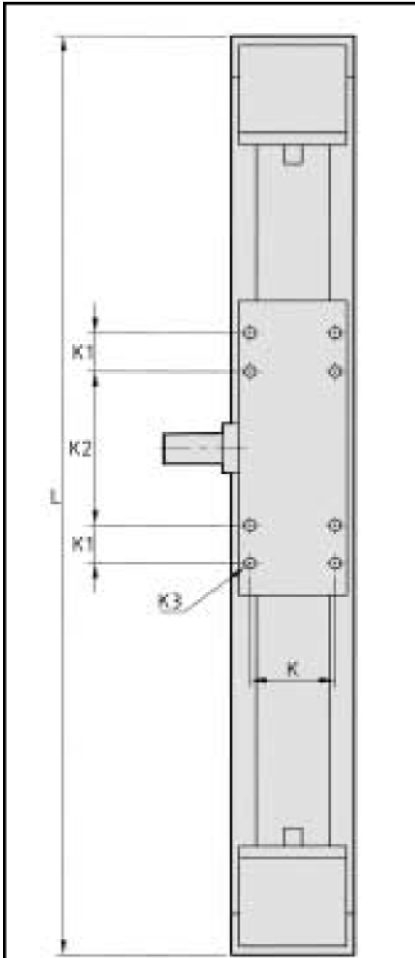




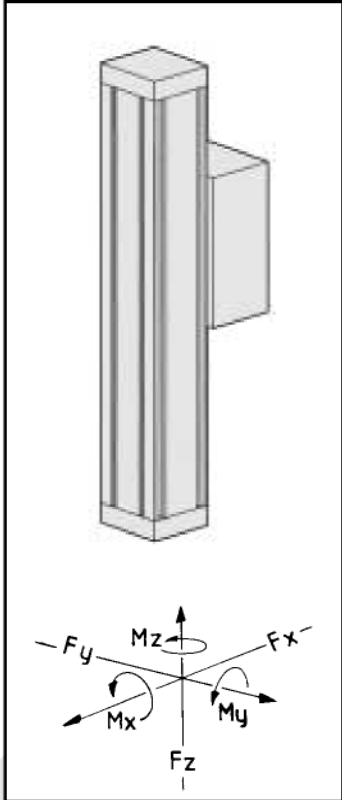
CREAXE-C series

International name: KCXC

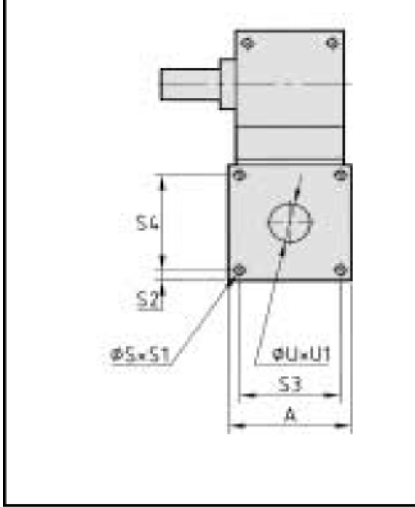
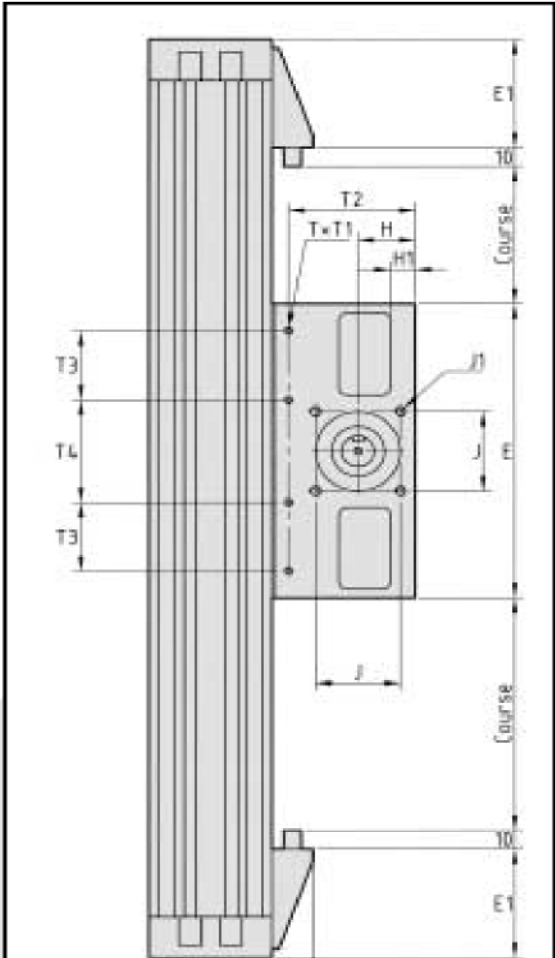
- **Sizes 62/90/115 with profile rail guide and 2 carriages**
- **Sizes 165/200/240 with double profile rail guide with 2 carriages each**
- **Toothed belt drive**
- **Non-moving fixing box**
- **High load capacity**
- **Profile made of anodised extruded aluminium**
- **T-slots**



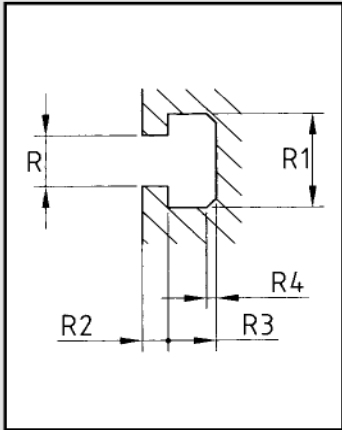
**Standard shaft
Hollow shaft optional**



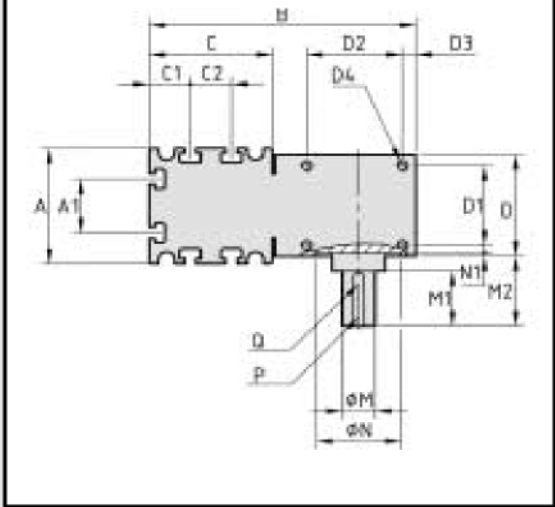
Forces and moments



Below view



T-slots



Cross section

DIMENSIONS

Series	A	A1	B	C	C1	C2	D	D1	D2	D3	D4 ⁽¹⁾
CREAXE 62 C25	62	32	152	62	18	26	78	46	46	8	M6x20
CREAXE 90 C32	90	42	195	90	30	30	98	74	56	10	M8x20
CREAXE 115 C50	115	60	225	105	35	35	118	70	65	10	M8x20

Series	E	E1	F	H	H1	J	J1 ⁽¹⁾	K	K1	K2	ØK3
CREAXE 62 C25	220	80	25	45	14	50	M8	62	24	140	8.5
CREAXE 90 C32	250	92	32	45	17	62	M8	82	30	155	8.5
CREAXE 115 C50	270	92	32	57	20	70	M8	100	30	170	8.5

Series	ØMj7	M1*	M2*	ØNH8	N1	P	Q	R	R1	R2	R3	R4
CREAXE 62 C25	19	38	48	55	2.5	M5	6 x 6	6	10.5	4	5.5	1 x 1
CREAXE 90 C32	25	38	48	62	2.5	M6	8 x 7	8	15.5	4	7.5	1 x 1
CREAXE 115 C50	25	38	48	62	3.5	M8	8 x 7	8	15.5	4.5	7.5	2 x 2

Series	ØS ⁽¹⁾	S1 ⁽¹⁾	S2 ⁽¹⁾	S3 ⁽¹⁾	S4 ⁽¹⁾	ØT ⁽¹⁾	T1 ⁽¹⁾	T2 ⁽¹⁾	T3 ⁽¹⁾	T4 ⁽¹⁾	ØUH8 ₍₁₎	U1 ⁽¹⁾
CREAXE 62 C25	M6	12	6	50	40	M6	12	74	30	140	20	6
CREAXE 90 C32	M8	20	8	74	74	M6	12	90	40	150	30	8
CREAXE 115 C50	M8	20	10	100	85	M6	15	105	40	170	30	8

(1) on both sides
E2 = Stroke (mm)

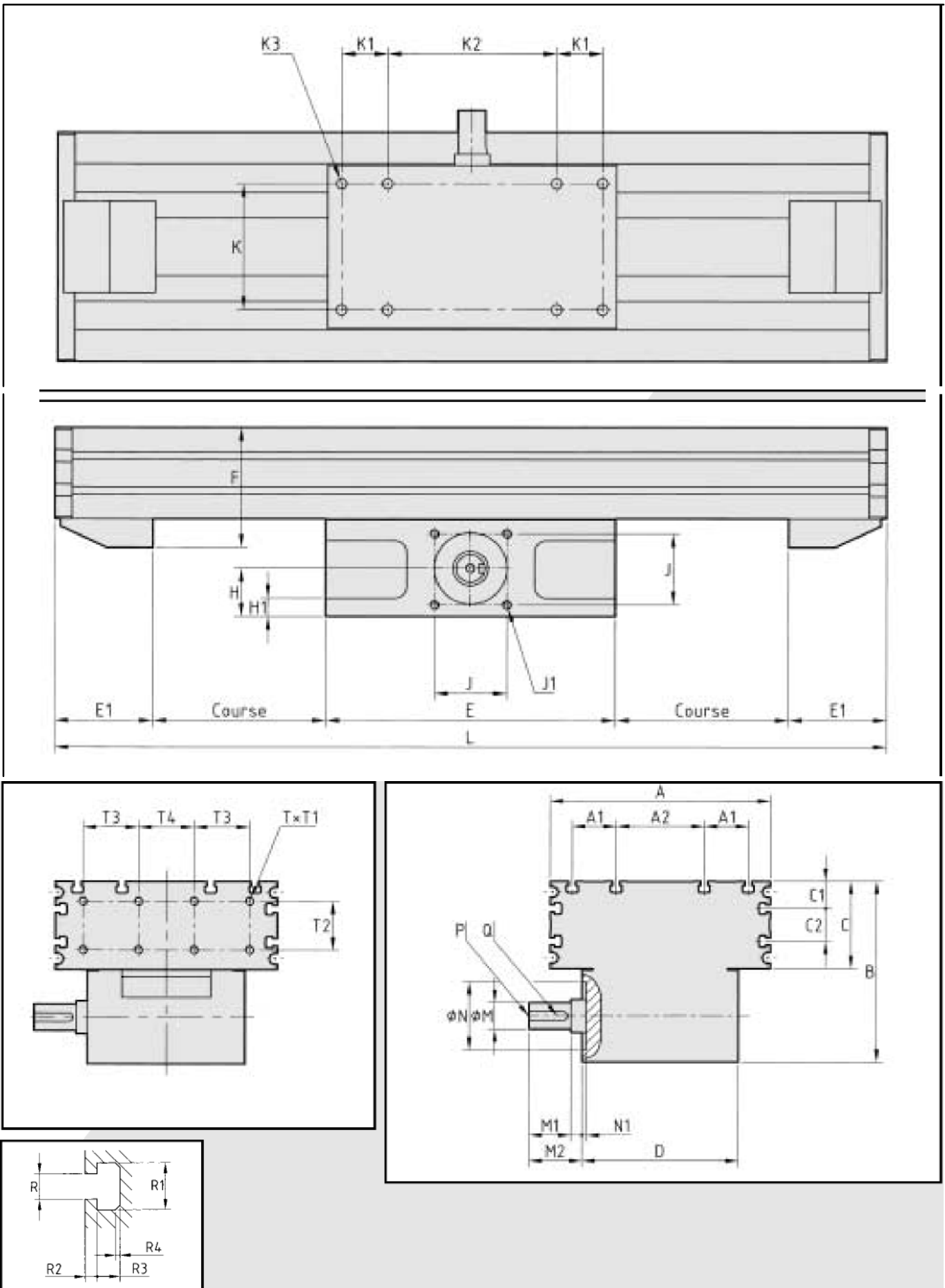
*Integration of a belt transmission on request, M1 and M2 vary.

TECHNICAL DATA

Series	Load (N)	Static moment (Nm)		
		Mox	Moy	Moz
	According to Fz			
CREAXE 62 C25	600	275	275	98
CREAXE 90 C32	820	782	782	434
CREAXE 115 C50	1,380	1,535	1,535	1,120

Series	Travel per revolution mm	Pulley mass moment of inertia Kg.m ²	Toothed belt
CREAXE 90 C32	200	4.96 x 10 ⁻⁴	50AT 10
CREAXE 115 C50	200	7.32 x 10 ⁻⁴	50 AT 10

Series	Total weight Kg	Weights of the moved profiles Kg	Moment of inertia	
			Ixx (mm ⁴)	Iyy (mm ⁴)
CREAXE 62 C25	Stroke x 0.007 + 6.4	Stroke x 0.007	76.15 x 10 ⁴	62.6 x 10 ⁴
CREAXE 90 C32	Stroke x 0.010 + 9.7	Stroke x 0.010	300 x 10 ⁴	247 x 10 ⁴
CREAXE 115 C50	Stroke x 0.014 + 11.5	Stroke x 0.014	720.56 x 10 ⁴	484.19 x 10 ⁴



DIMENSIONS (mm)

Series	A	A1	A2	B	C	C1	C2	D	E	E1*	F	H
CREAXE 165 C32	165	32	71	150	62	18	26	68	230	105	92	45
CREAXE 200 C50	200	40	80	180	80	25	30	79	250	115	110	45
CREAXE 240 C50	240	50	100	215	85	12.5	60	99	300	115	115	58

Series	H1	J	J1	K	K1	K2	K3	ØMj7	M1*	M2*	ØNH8	N1
CREAXE 165 C32	16	52	M8	100	35	136	9	19	38	48	52	4
CREAXE 200 C50	18	62	M8	120	40	146	9	25	43	53	62	4
CREAXE 240 C50	20	70	M8	150	50	170	11	30	48	58	62	5

Series	P	Q	R	R1	R2	R3	R4	T	T1	T2	T3	T4
CREAXE 165 C32	M6	6 x 6	6.2	10.5	3.5	5.5	1 x 1	M6	12	38	40	26
CREAXE 200 C50	M8	8 x 7	6.2	10.5	4	6.5	1 x 1	M8	16	44	54	28
CREAXE 240 C50	M8	8 x 7	6.2	10.5	4	5.5	1 x 1	M10	16	45	45	100

*Integration of a belt transmission on request, M1 and M2 vary.

TECHNICAL DATA

Series	Dynamic load		Static moment (Nm)			Total weight	Weights of the moved profiles
	Fx (N)		Mox	Moy	Moz	Kg	Kg
CREAXE 165 C32	2	250	1, 105	1, 105	850	14.5 + (c x 0.016)	6.8+ (c x 0.016)
CREAXE 200 C50	2	800	1, 860	1, 860	1, 080	19.8 + (c x 0.02)	9.4+ (c x 0.02)
CREAXE 240 C50	3	600	2, 618	2, 618	1, 600	27 + (c x 0.026)	14.2+ (c x 0.026)

c = Stroke (mm)

Series	Toothed belt	Travel per revolution	Pulley mass moment of inertia	Moment of inertia	
				lxx (mm ⁴)	lyy (mm ⁴)
		mm	Kg.m ²		
CREAXE 165 C32	32 T 10	150	3.1 x 10 ⁻⁴	1 153 x 10 ⁴	148.6 x 10 ⁴
CREAXE 200 C50	50 T 10	180	7.3 x 10 ⁻⁴	2 725 x 10 ⁴	381.6 x 10 ⁴
CREAXE 240 C50	50 T 10	180	7.3 x 10 ⁻⁴	4 578 x 10 ⁴	668 x 10 ⁴

*With rubber end-bloc



SPEED:

3.5m/s

ACCELERATION:

30m/s²

REPEATABILITY:

+/- 1/10mm

LUBRICATION:

The guides are to be re-lubricated at least twice a year by using the NLGI2 roller bearing grease fitted with lithium based soap.

TEMPERATURE:

From -10°C up to +80°C

For other temperatures, please contact us.

SEE "OPTIONS AND ACCESSORIES" FOR:

- Second, free carriage
- Hollow shaft coupling
- Compact flange
- Stroke ends
- Telescopic CREAXE
- Fixing parts
- Motor
- Motion control

REFERENCES

	CREAXE	240	C50	1000	1470	CLO	A10C
Series							
Width of the profile							
Toothed belt							
Stroke							
Total length							
Options and accessories (ex. CLO: hollow shaft coupling; A10C: compact flange)							